



# SUBLine 218SA

## APPLICATIONS

- Permanent installations in:  
Theatres, Concert Halls, Clubs, Places of Worship,  
Conference Rooms, Indoor Sports, Arenas & Stadiums
- Sound reinforcement for live events:  
Touring, Bands, Orchestras

## FEATURES

- 18mm / 0.70" birch plywood enclosure
- 1200W RMS class D amplifier
- 2 x 460mm/18" custom made for FBT by B&C woofers with 75mm/3" coil
- Frequency response 30Hz - 120Hzc
- Control panel with stereo XLR in & out, volume, preset, delay, phase, 3 status led indicators
- SPL capability 140dB
- DSP with 6 presets
- 2 x M20 threads for stand pole mount
- Completely Manufactured in Italy

## PROCESSED ACTIVE SUBWOOFER



 МУЗЦЕНТР  
МУЗЫКАЛЬНОЕ ОБОРУДОВАНИЕ

<https://muzcentre.ru>

## PRODUCT DESCRIPTION

The FBT SUBLINE 218SA, 2 x 18" bass reflex design subwoofer, is the perfect low-frequency extension and the ideal companion for the FBT MUSE 210LA line array or ground stack applications with optional metal base. The FBT SUBLINE 218SA shall meet the following performance criteria: Frequency response of 30Hz to 120Hz, Maximum SPL of 140dB peak, Class D amplifier 1200W RMS. The FBT SUBLINE 218SA provides a DSP with 6 presets-cardioid and infra configurations. The FBT SUBLINE 218SA feature 0.70" Baltic birch plywood construction covered in a scratch resistant black paint with 2 x M20 top-mounted stand adapter and four FBT design aluminium handles. The control panel provides stereo XLR in & out, volume control, preset, delay, phase 0°-180°, 3 status led indicators.

## ELECTRICAL PERFORMANCE

System Type:	bass reflex
Built-in Amplifier*	1200W RMS peak: 2400W
Frequency Response @ -6dB	30Hz - 120Hz
Input Impedance	22k Ohm
Maximum SPL (continuous/peak)**	136dB / 140dB
Dispersion	omnidirectional
AC Power Requirement	1000 VA

## PHYSICAL

Low Frequency Woofer	2 x 18" - 3" coil
Input Connectors	Stereo XLR in/out
Net Dimensions (WxHxD)	38.18" x 25.98" x 26.37" 970 x 661 x 670mm
Shipping Dimensions (WxHxD)	45.27" x 30.70" x 31.49" 1150 x 780 x 800mm
Net Weight	178.57 lbs / 81 kg
Shipping Weight	207.23 lbs x 94 kg
Enclosure Material	birch plywood
Power Supply Cable	16.4 ft

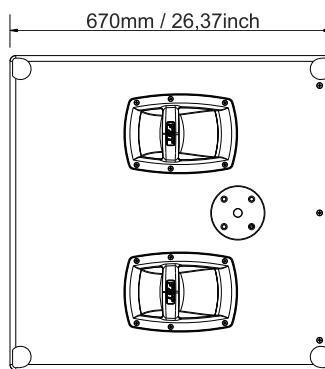
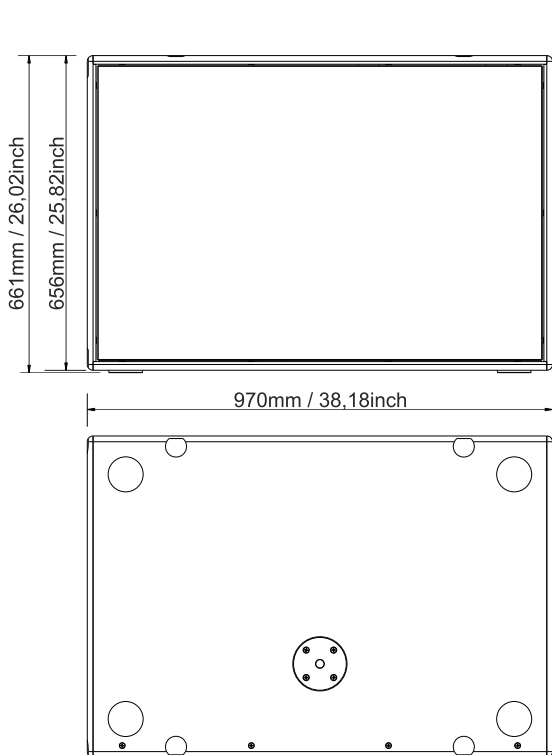
\* MAX: 2mS burst, RMS power on nominal speaker impedance  
MAX PEAK: based on max peak output voltage and nominal speaker impedance

\*\* CONT. SPL: half space, based on power amp rating and LF transducer average sensitivity data, 125mS time average  
PEAK SPL: half space, based on peak power amp rating and system peak sensitivity, 10mS time average



# SUBLine 218SA

## DIMENSIONAL DRAWING



**ONLY FOR GROUND  
STACK CONFIGURATION**

## OPTIONAL WHEELS

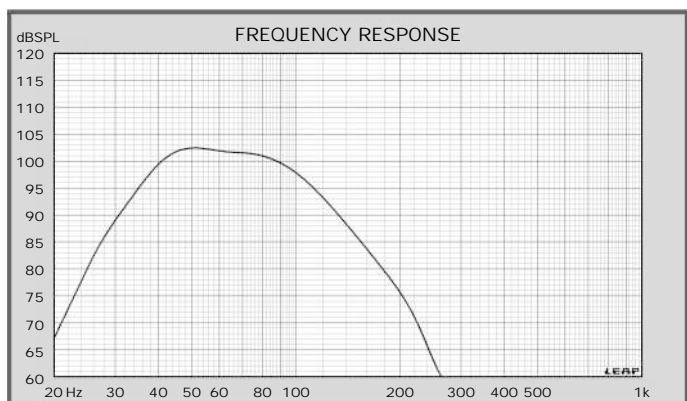


**KBW-1004S**

25197

4 Wheels Kit with brake 100 mm  $\varnothing$

## DIAGRAMS



## CONNECTION PANEL

